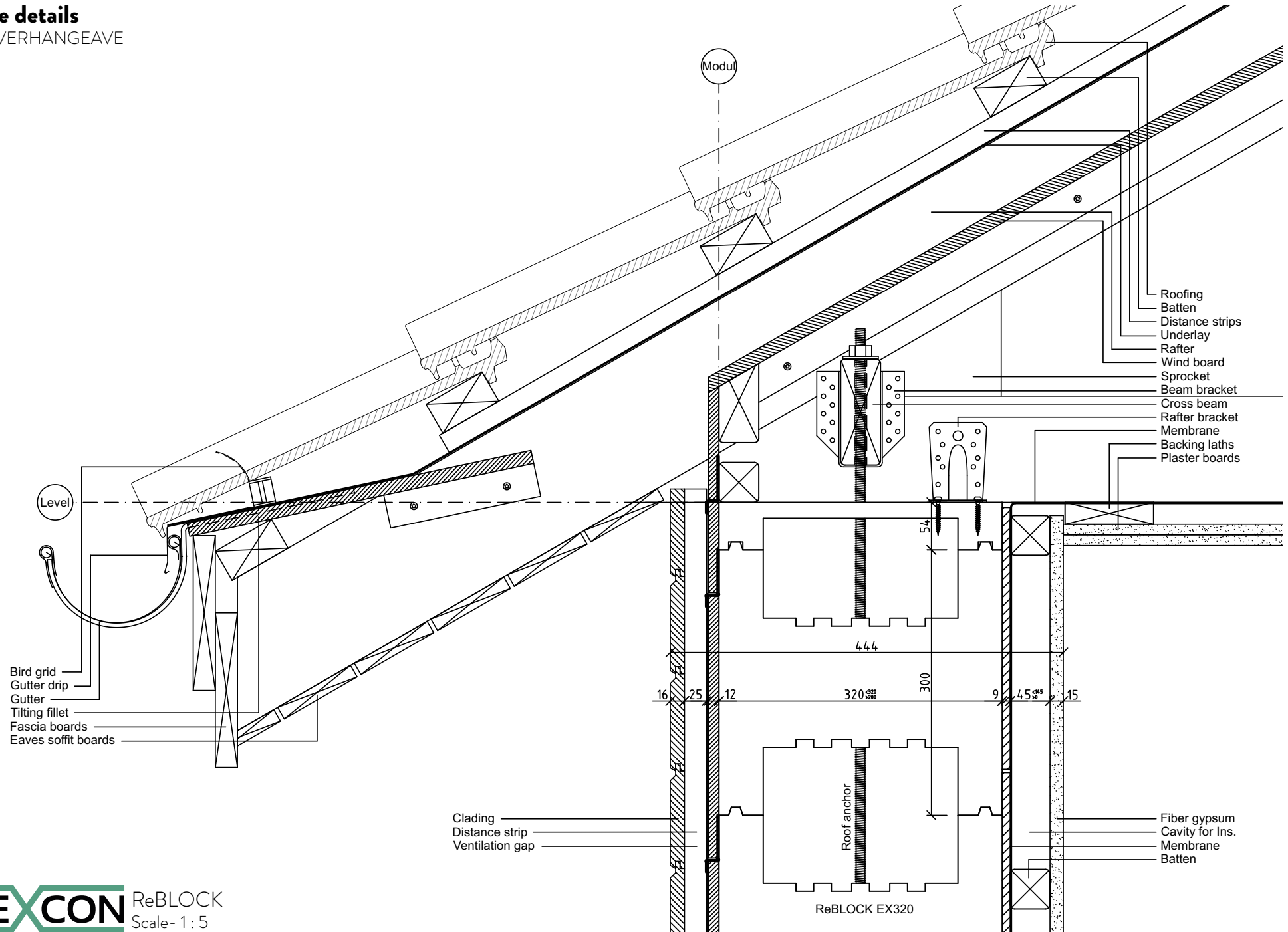


# ReBLOCK - Eave details

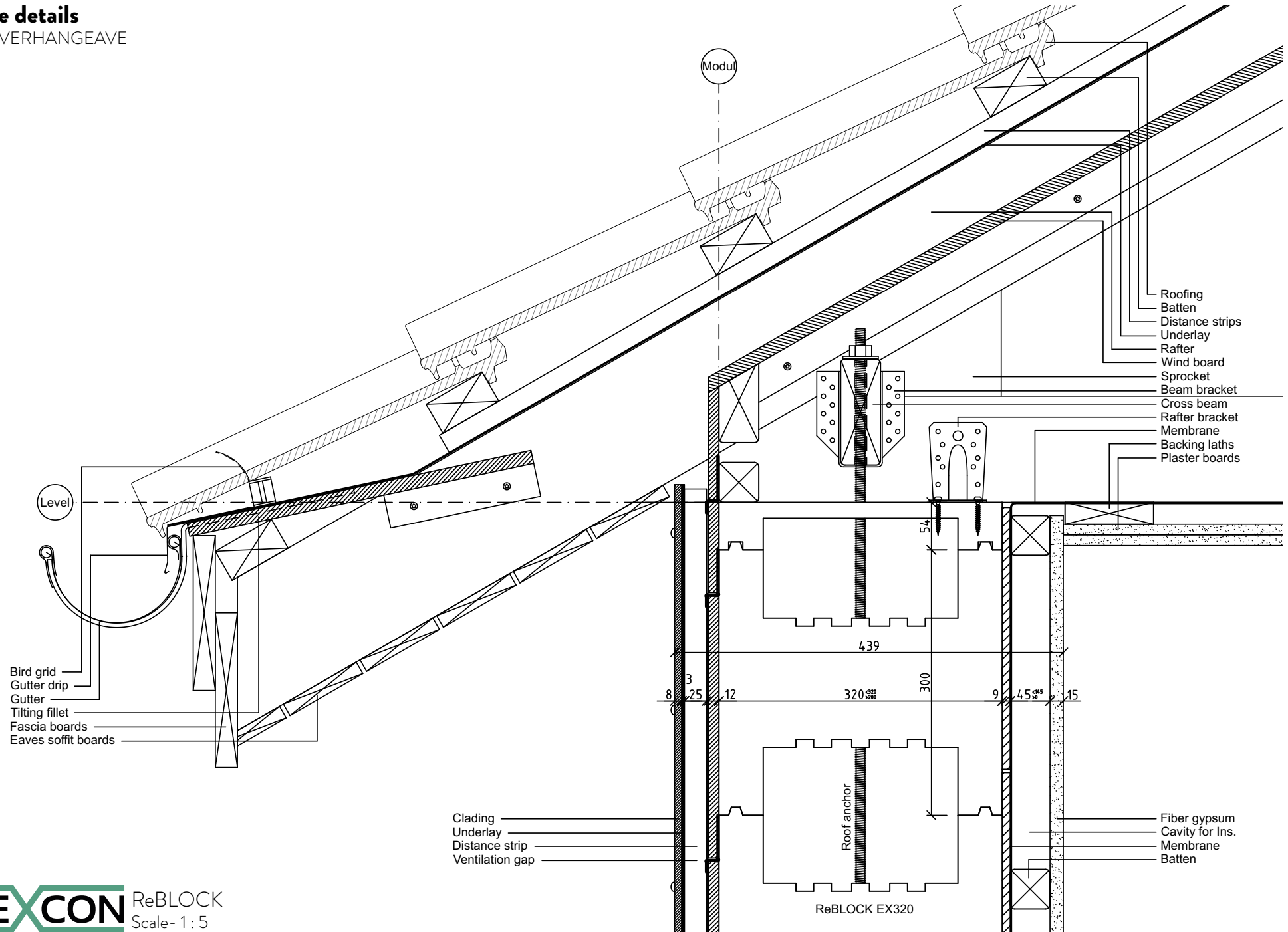
# Eave details

V1OVERHANGEAVE

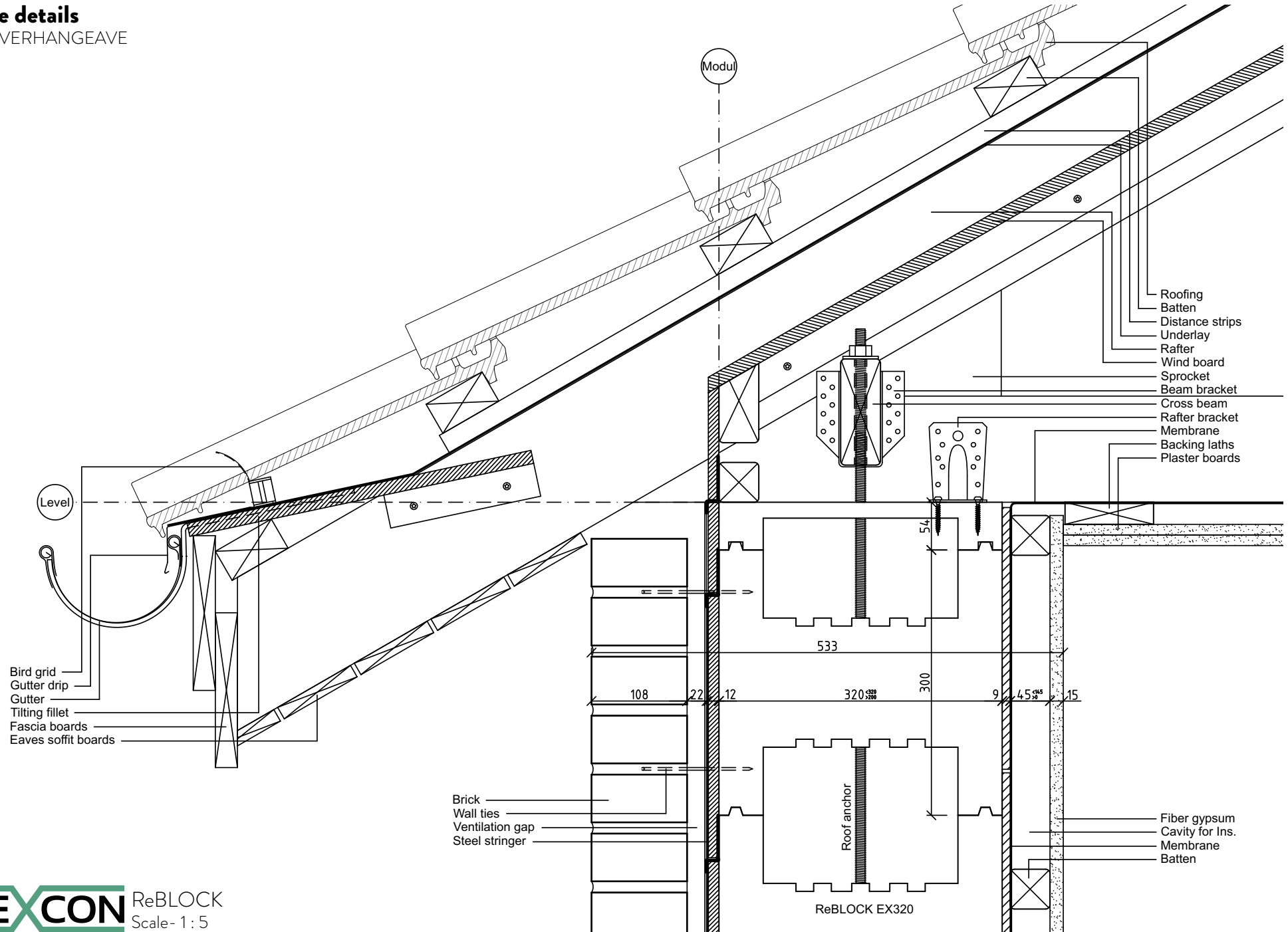


# Eave details

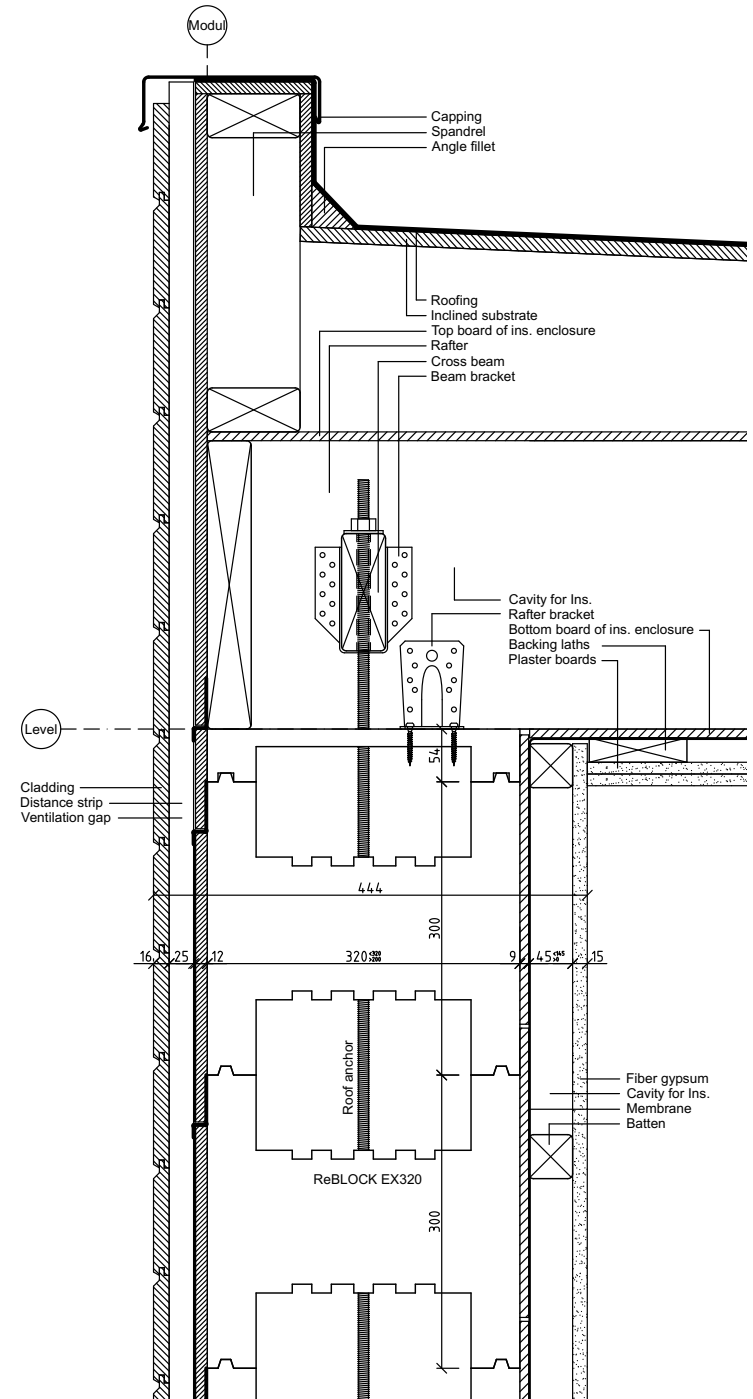
V2OVERHANGEAVE



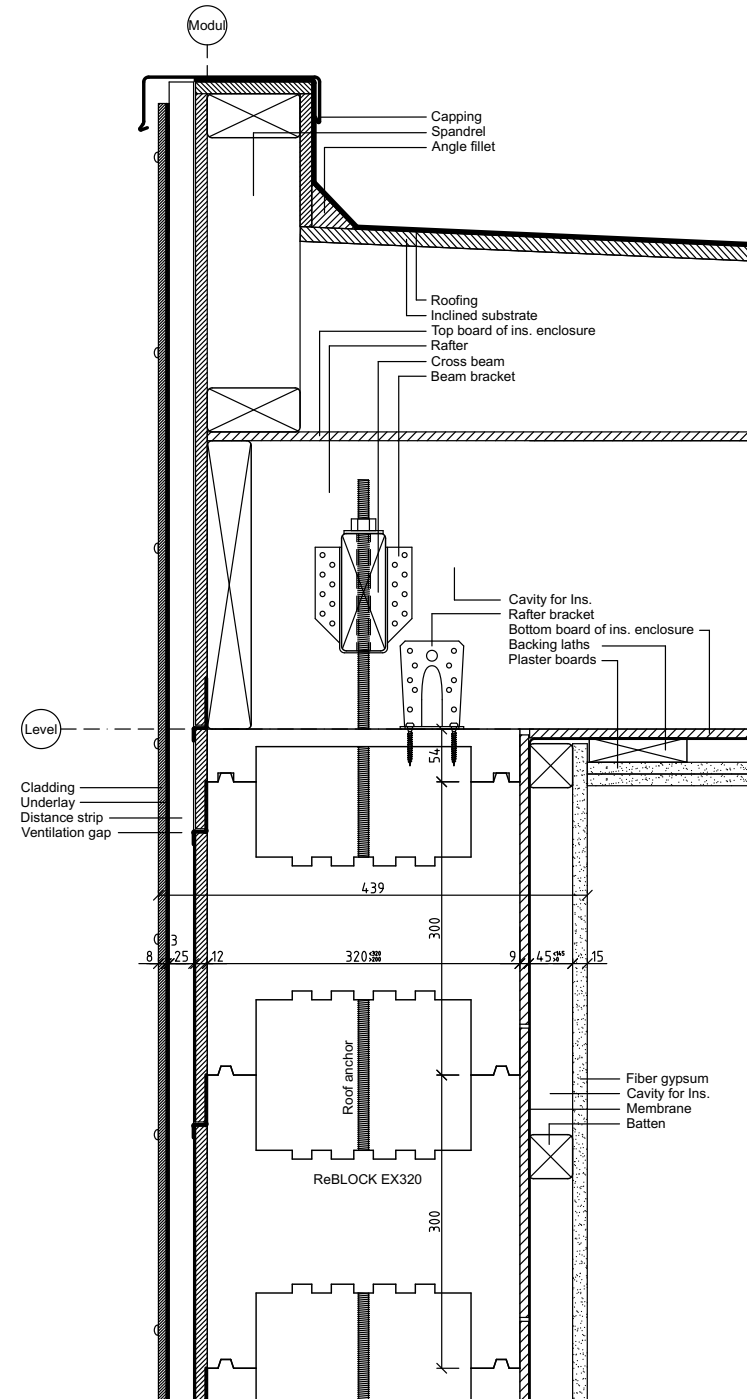
**Eave details**  
V3OVERHANGEAVE



**Eave details**  
VICROWNEAVE



**Eave details**  
V2CROWNEAVE



**Eave details**  
V3CROWNEAVE

